

# VisiLED Slim Ringlight

Innovative illumination system specially developed for stereo microscopy and microscopy applications



Slim Ringlight with focus optic rings for various working distances (400.150)



Focus optic ring for darkfield illumination (400.810)

## Features

- Easily adaptable to microscope objectives by means thumb screw
- Homogeneous incident or oblique illumination
- Controllable with all VisiLED controllers (MC750, MC1000, MC1500)
- Variable working distance ranges possible by exchange of focus optic rings
- Implementation of brightfield and darkfield applications
- Segments controllable in different preset modes:



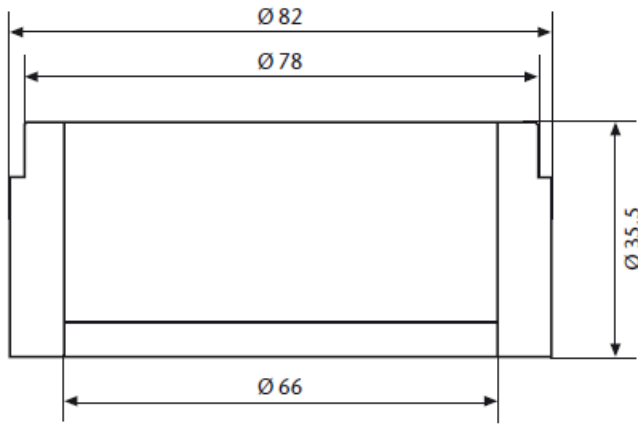
## Benefits

- Slim and space saving LED ringlight
- Optimal for unconfined object preparation or usage with objective revolvers

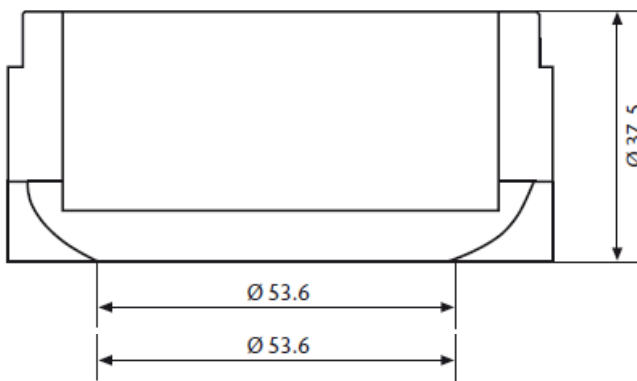
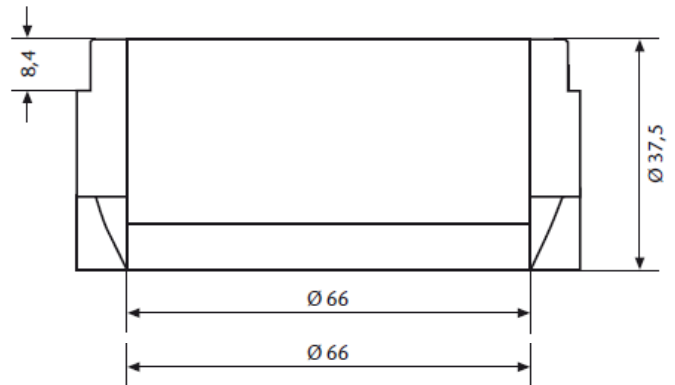
| Lighthouse     |           |                               |                          |                  |                  |                    |
|----------------|-----------|-------------------------------|--------------------------|------------------|------------------|--------------------|
| Description    | Part. No. | Free working distance* (FWD)  | Max. illuminance         | Inner Ø          | Outer Ø          | Height             |
| Slim Ringlight | 400 150   | 40 – 90 mm<br>(1.57" – 3.54") | 65 klx<br>(at 50 mm FWD) | 66 mm<br>(2.60") | 82 mm<br>(3.23") | 35.5 mm<br>(1.40") |
|                |           | 20 – 40 mm<br>(0.79" – 1.57") | 45 klx<br>(at 25 mm FWD) |                  |                  | 37.5 mm<br>(1.48") |

\*Focus optics rings for both working distance ranges are included

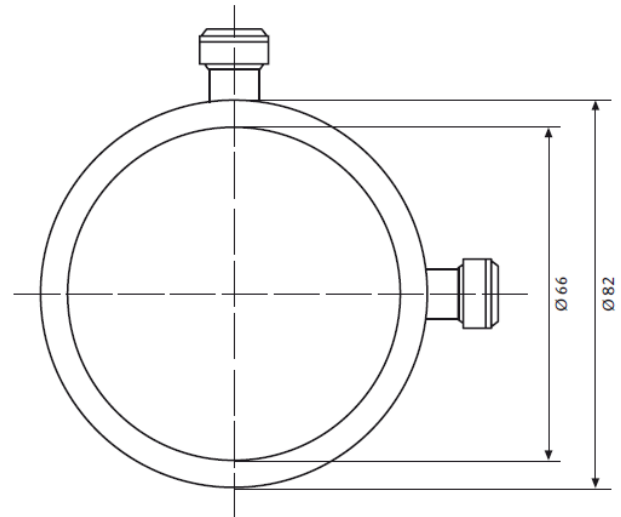
# VisiLED Slim Ringlight



with focus optic ring f50



with focus optic ring f10



## Accessories

| Description  | Free working distance (FWD) | Part. No. |
|--|-----------------------------|-----------|
| Focus optic ring for darkfield                             | 5 - 20 mm (0.20" - 0.79")   | 400 810   |
| Extension adapters   | Length                      | Part. No. |
| For objective working distance 30 – 50 mm (1.18" – 1.97")  | 30 mm (1.18")               | 157 569   |
| For objective working distance 50 – 80 mm (1.97" – 3.15")  | 50 mm (1.97")               | 157 567   |
| For objective working distance 80 – 110 mm (3.15" – 4.33") | 75 mm (2.95")               | 157 562   |